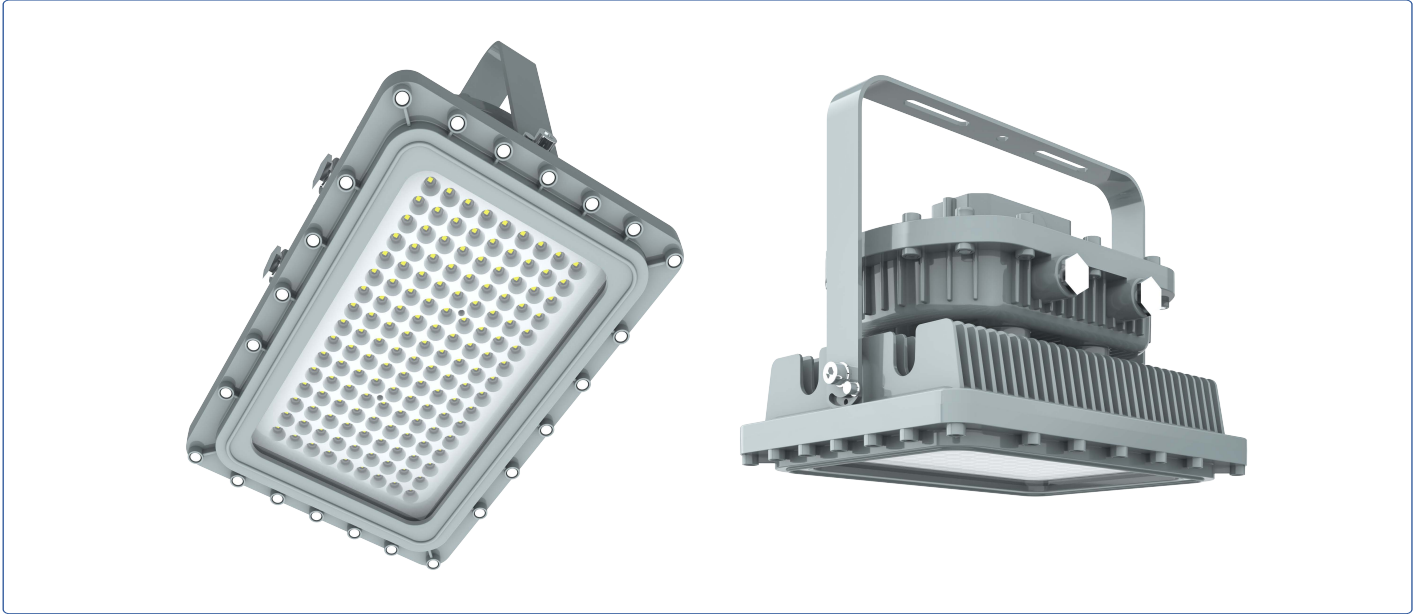


D Series

LED Explosion Proof Light



Certifications:

- ◆ Marking UL844 (North American)
 - ◆ Class I, Division 1, Groups C, D
 - ◆ Class I, Division 2, Groups A, B, C, D
 - ◆ Class II, Division 1, Groups E, F, G
 - ◆ Class II, Division 2, Groups F, G
 - ◆ Class III
- ◆ ATEX Marking
 - ◆ II 2 G Ex db IIB T6...T4 Gb
 - ◆ II 2 D Ex tb IIIC T80°C...T120°C Db IP66
- ◆ IECEx Marking:
 - ◆ Ex db IIB T6...T4 Gb
 - ◆ Ex tb IIIC T80°C...T120°C Db IP66
- ◆ Marine Marking
 - ◆ UL 1598, UL1598A
 - ◆ ABS
- ◆ IP66
- ◆ IK10
- ◆ Ambient Temperature:
 - ◆ -40°C to 40°C (T6)
 - ◆ -40°C to 55°C (T5)
 - ◆ -40°C to 65°C (T4)

Standard Materials:

- ◆ Housing: Copper-free aluminum
- ◆ Lens: Tempered glass
- ◆ Hardware: Stainless steel
- ◆ Mounting Bracket: Stainless steel

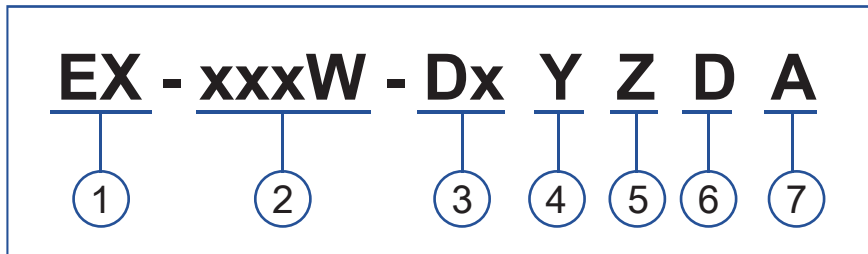
Key Features:

- ① Dimmable and battery backup function is available.
- ② High-quality SMT LED and Meanwell driver.
- ③ Heavy-duty and high impact resistance.
- ④ Replaceable LED board and drivers.
- ⑤ Integrated junction box for driver.
- ⑥ Marine rating powder coated finish treatment.
- ⑦ Various installation ways for different applications.
- ⑧ Glass lens or polycarbonate lens for making different beam angles.

Additional Features:

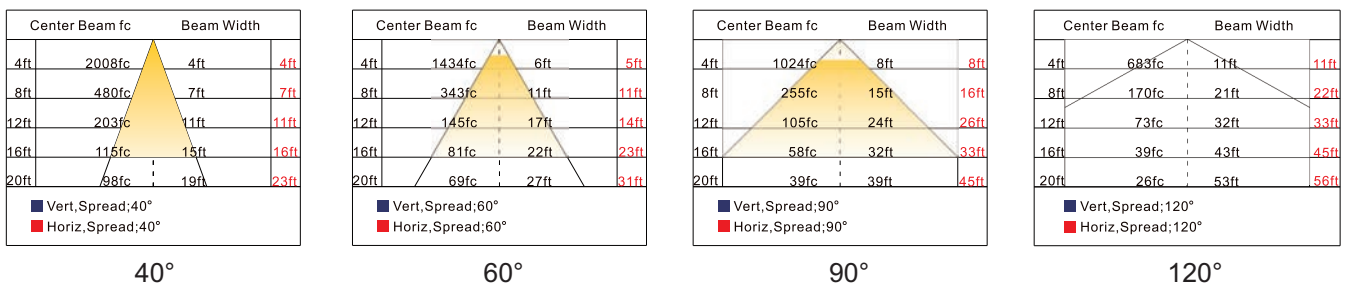
- ◆ Emergency battery backup is available.
- ◆ 5-year warranty.
- ◆ Low temperature applications to -40°C (-40°F) and high temperature up to 55°C (131°F).

Catalog Number Logic:



- ① **PRODUCT CATEGORY**
 - ◆ Explosion proof light
- ② **WATTAGE**
 - ◆ 20W-220W
- ③ **PRODUCT SERIES**
 - ◆ D
 - ◆ D2
- ④ **DIMMING OPTION**
 - ◆ D= dimmable
 - ◆ N= Non-dimmable
- ⑤ **CCT**
 - ◆ From 2200K to 7000K
 - ◆ 22=2200K, 30=3000K, ..., 70=7000K
- ⑥ **BEAM ANGLE**
 - ◆ D40= 40°
 - ◆ D90= 90°
 - ◆ D60= 60°
 - ◆ D120= 120°
- ⑦ **GLASS TYPE**
 - ◆ A=blank: Flat glass
 - ◆ A=C: Spherical glass

Photometry:

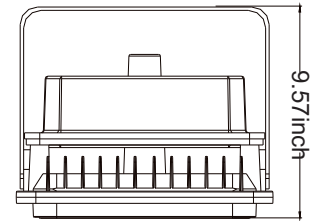
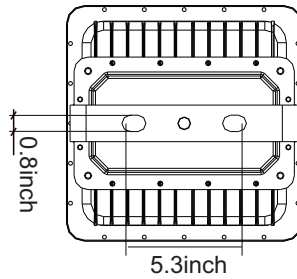
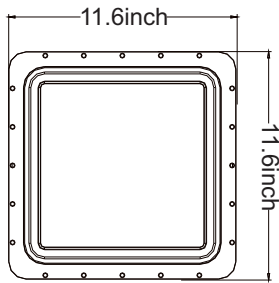


Technical Data:

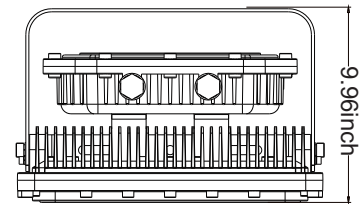
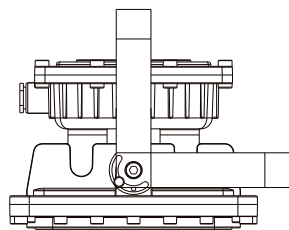
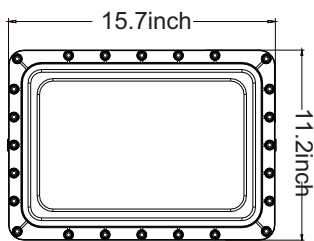
Model	Wattage	Operating Voltage	Lumens (lm)	Efficacy (lm/W)	CRI	CCT	Emergency Time
EX-20W D2YZDA	20W	AC100-277V/200-480V or DC12-48V	2,800	140	>70	2200K-7000K	3 hours
EX-40W D2YZDA	40W		5,600				
EX-60W D2YZDA	60W		8,400				
EX80W D2YZDA	80W		11,200				
EX-100W DYZDA	100W		14,000				
EX-150W DYZDA	150W		21,000				
EX-200W DYZDA	200W		28,000				
EX-220W DYZDA	220W		30,800				

Dimensions:

D2 Series



D Series

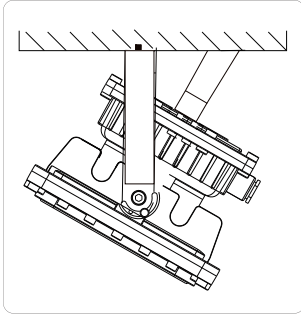


Packing Information:

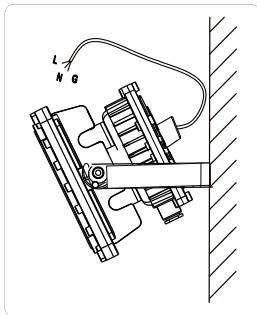
Model	Quantity/Carton	Packing Size	Net Weight	Gross Weight
D2	1 PCS	15.75x15.16x13.19inch	7 kg/ 15.43 lbs	9.5 kg/ 20.94 lbs
D	1 PCS	19.76x14.80x13.78inch	17.9 kg/ 39.46 lbs	19.5 kg/ 42.99 lbs

Mounting Methods:

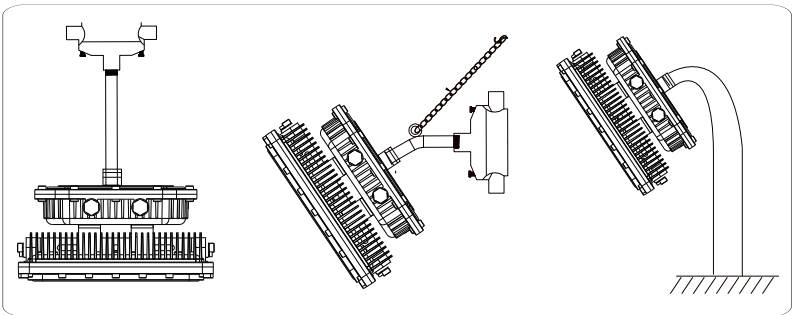
◆ Ceiling Mounting:



◆ Wall Mounting:



◆ Pole Mounting:



Accessories:



- **Model: Ex-Junction Box**
Material: Aircraft Aluminum A383
Material: Aircraft Aluminum A383



- **Model: EX-Straight Pipe**
Name: Straight Pipe
Material: Iron



- **Model: Ex-Conduit 01**
Name: Metal Conduit
Material: Stainless Steel and Aluminum



- **Model: EX-Bended Pipe**
Name: Bended Pipe
Material: Iron



- **Model: Ex-Chain**
Name: Pendant Chain
Material: Stainless Steel S30400



- **Model: Ex-Bracket**
Name: U-bracket
Material: Stainless Steel

Application :

- ◆ Oil and gas industry
 - All petroleum production and refining
 - Petroleum loading and transportation
 - Petroleum storage and retail
 - LNG industry
 - All mining operations and service
- ◆ Ocean, marine and aerospace field
 - Ocean platform operation facilities
 - Aerospace clean room and production
 - Ocean vessel operations
- ◆ Food and alcohol industry
 - Flour and fine particle production and storage
 - Food and distilling production
 - Alcohol industry
- ◆ Chemical industry
 - All types of paint facilities
 - Chemical production and storage
- ◆ Metal treatment
 - Steel and aluminum factories
 - Pumping stations in any environment
 - Metal smelting, foundry and fabrication
- ◆ Other high humidity, high dust, high temperature, vapor locations.