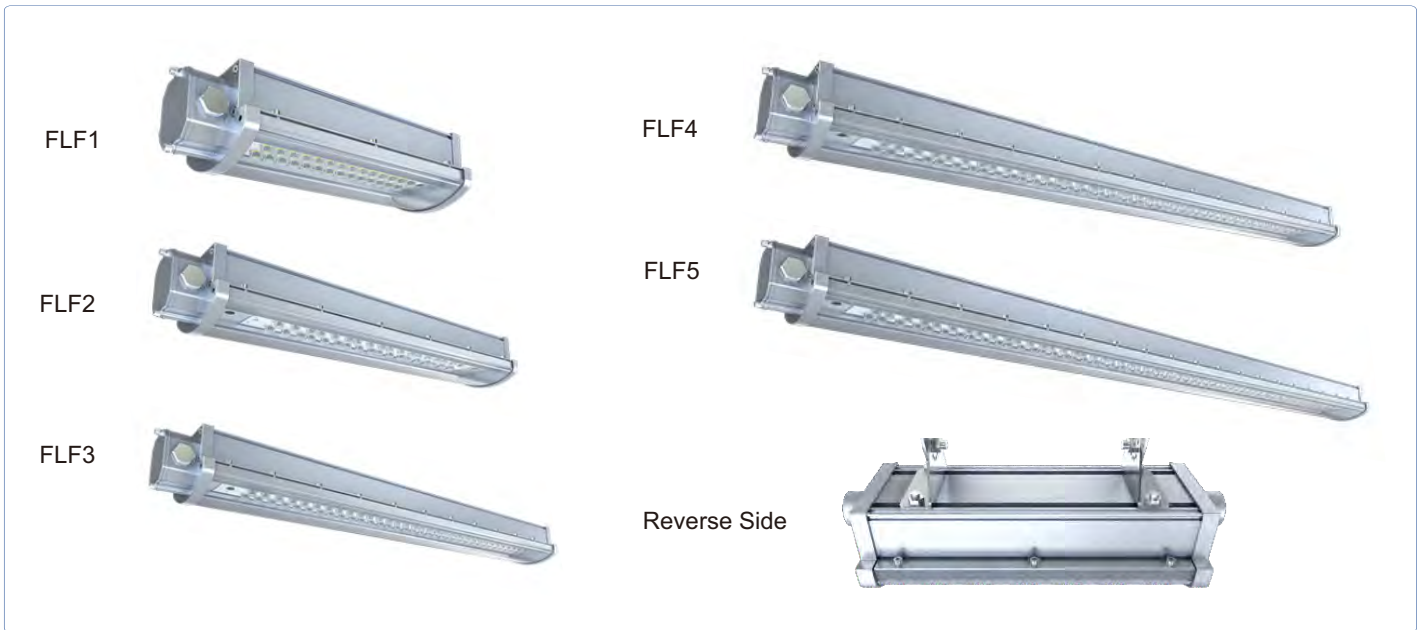


# FLF Series

LED Explosion Proof Light



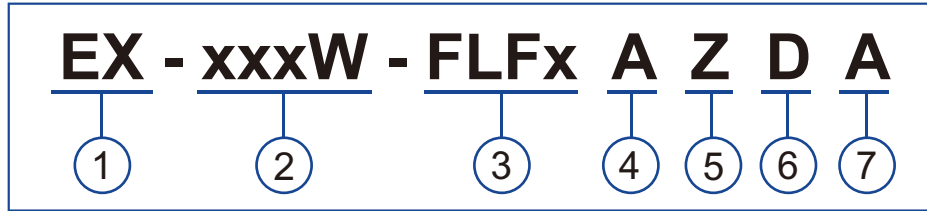
## Certifications:

- ◆ UL 844 Hazardous Locations (North American)
  - Class I, Division 2, Groups A, B, C, D
  - Class II, Division 1, Groups E, F, G
  - Class II, Division 2, Groups F, G
  - Class III
- ◆ Atex
  - II 2 G Ex eb mb IIC T6...T4 Gcb
  - II 2 D Ex tb IIIC T80°C...T120°C Db
- ◆ IECEx
  - Ex eb mb IIC T6...T4 Gcb
  - Ex tb IIIC T80°C...T120°C Db
- ◆ Ambient Temperature:
  - 40°C to 65°C (-40°F to 149°F)
- ◆ IP66

## Key Features:

- 1 Available in 5 lengths.
- 2 High efficiency of 120-140 lumens per watt.
- 3 Smooth housing for easy cleaning.
- 4 Multiple beam angles include 40°, 60°, 90°, and 120°.
- 5 Long lifespan of 50,000 hours.
- 6 5-year limited warranty.
- 7 It is constructed of non-sparking materials for protection in flammable work sites.
- 8 Highly resistant to rough impact.

**Ordering Guide:**



- ① **PRODUCT CATEGORY**  
◆ Explosion proof light
- ② **WATTAGE**  
◆ 20W-100W
- ③ **PRODUCT SERIES**  
◆ FLF Series
- ④ **INPUT VOLTAGE**  
◆ AC100-277V
- ⑤ **CCT**  
◆ Z can be 22, 30, ..., 65.  
◆ 22=2200K, 30=3000K, ..., 65=6500K
- ⑥ **BEAM ANGLE**  
◆ D40= 40°  
◆ D60= 60°  
◆ D90= 90°  
◆ D120= 120°
- ⑦ **GLASS TYPE**

**Technical Data:**

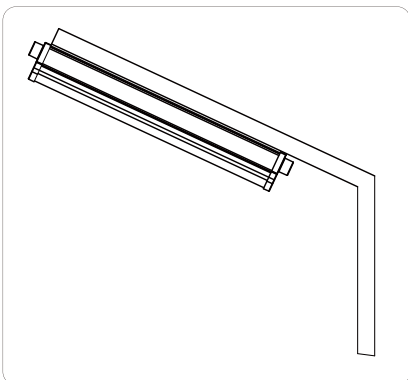
Model	Wattage (W)	Operating Voltage	Efficacy (lm/W)	CRI	CCT	Emergency Time
EX-xxxW-FLF1 AZDA	20/30	AC100-277V	120-140	>70	2200K-6500K	>1.5 hours
EX-xxxW-FLF2 AZDA	20/30/40/50					
EX-xxxW-FLF3 AZDA	20/30/40/50/60/70					
EX-xxxW-FLF4 AZDA	20/30/40/50/60/70/80					
EX-xxxW-FLF5 AZDA	20/30/40/50/60/70/80/90/100					

**Packing Information:**

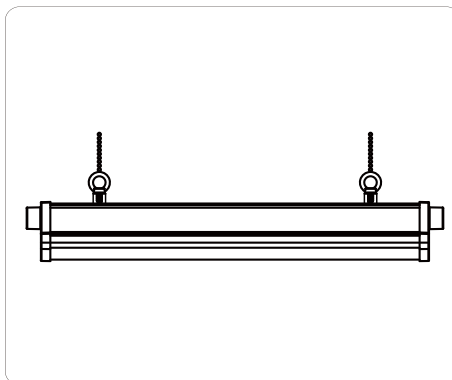
Model	Quantity/Carton	Packing Size	Net Weight	Gross Weight
EX-xxxW-FLF2 AZDA	1 PC	710x210x150mm/27.95x8.26x5.91inch	-	5.8 kg/ 12.78 lb
EX-xxxW-FLF4 AZDA	1 PC	1330x187x151mm/52.36x7.36x5.94inch	7.23 kg/ 15.94 lb	8.03 kg/ 17.70 lb
EX-xxxW-FLF5 AZDA	1 PC	1610x210x150mm/63.38x8.27x5.91inch	-	-

**Mounting:**

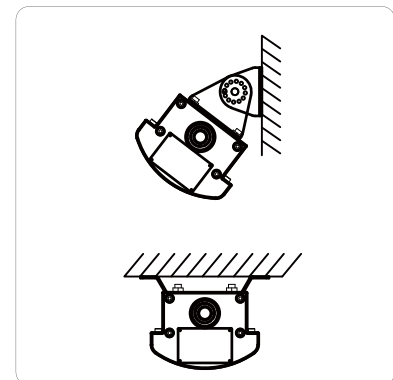
◆ Pole Mounting:



◆ Hook Mounting:



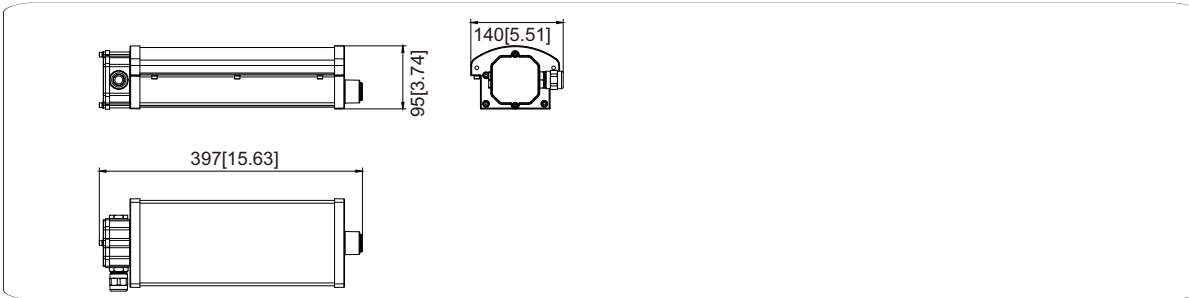
◆ Wall Mounting:



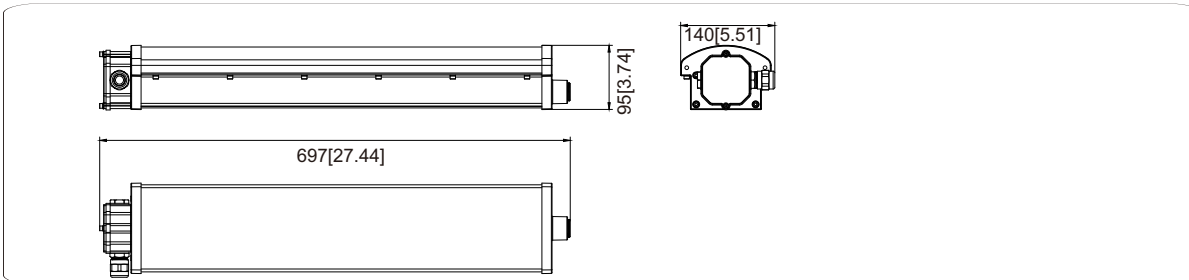
Dimensions:

Unit: mm[inch]

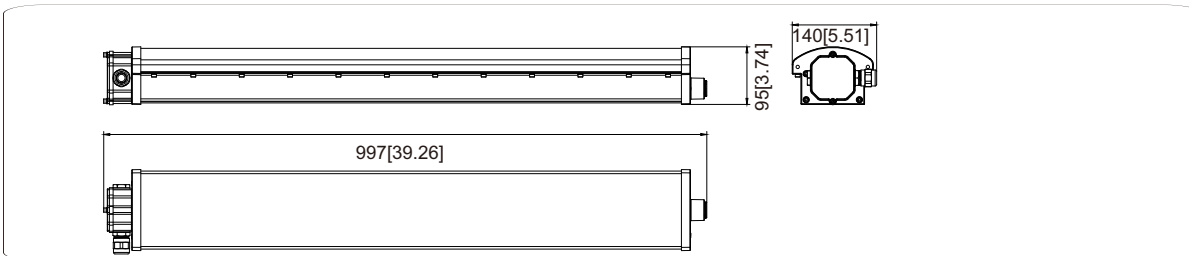
**FLF1**



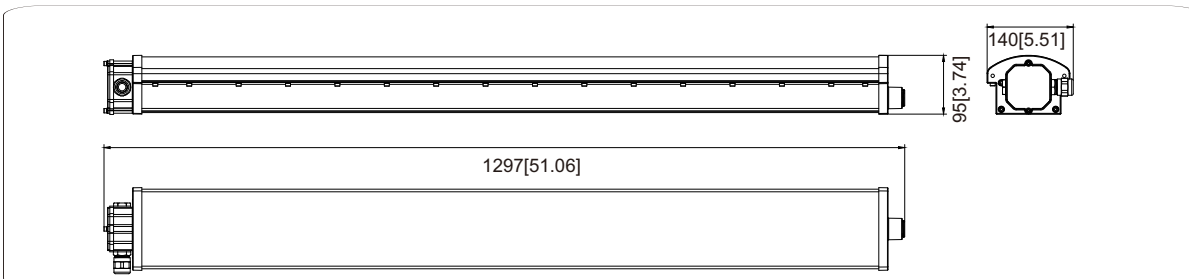
**FLF2**



**FLF3**



**FLF4**



**FLF5**

