

O Series

LED Explosion Proof Light



Flat Guard

Classifications :

◆ ATEX Marking

- ◆ Ex II 2 G Ex eb mb IIC T6 Gb
- ◆ Ex II 2 D Ex tb IIIC T80 Db IP66

◆ IECEx Marking

- ◆ Ex Eb mb IIC T6 Gb
- ◆ Ex tb IIIC T80 Db IP66

◆ UL844 Marking (North American)

- ◆ Class I, Division 2, Groups A, B, C, D
- ◆ Class II, Division 2, Groups E, F, G
- ◆ Class II, Division 2, Groups F, G
- ◆ Class III

◆ Marine Marking

- ◆ UL 1598A

◆ Other Rating

- ◆ IP66

Standard Materials:

- ◆ Housing: Copper free aluminum
- ◆ Lens: Tempered glass (frosted lens or clear lens are available.)

LED Explosion Proof Light - O Series

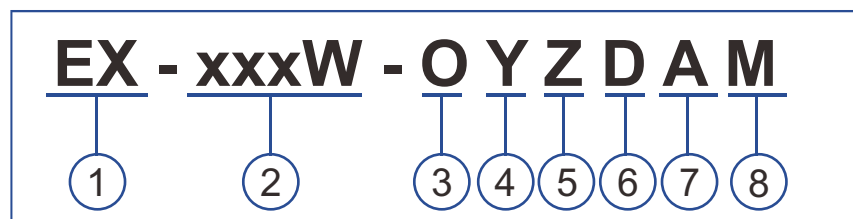
Key Features:

- ◆ Compact structure, small size and light weight for easy installation.
- ◆ High vibration and impact resistance.
- ◆ Protective metal cage against potential damage.
- ◆ Tempered glass for high heat resistance.
- ◆ Mounting ways: pendant, wall and end bracket mountings.
- ◆ Beam angles are optional: 40°/60°/90°/120°.
- ◆ Low temperature applications to -40°C (-40°F) and high temperature up to 60°C (140°F).
- ◆ Power Factor: > 0.9
- ◆ Outlet: regular 1 meter.
- ◆ Environmentally Friendly 50,000 hours lifespan.
- ◆ Waterproof and dust-proof, without internal cleaning and maintenance.
- ◆ 5-year warranty.

Applications:

- ◆ Oil and gas industry
 - All petroleum production and refining
 - Petroleum loading and transportation
 - Petroleum storage and retail
 - LNG industry
 - All mining operations and service
- ◆ Ocean, marine and aerospace field
 - Ocean platform operation facilities
 - Aerospace clean room and production
 - Ocean vessel operations
- ◆ Chemical industry
 - All types of paint facilities
 - Chemical production and storage
- ◆ Metal treatment
 - Steel and aluminum factories
 - Pumping stations in any environment
 - Metal smelting, foundry and fabrication
- ◆ Food and alcohol industry
 - Flour and fine particle production and storage
 - Food and distilling production
 - Alcohol industry

Ordering Guide:

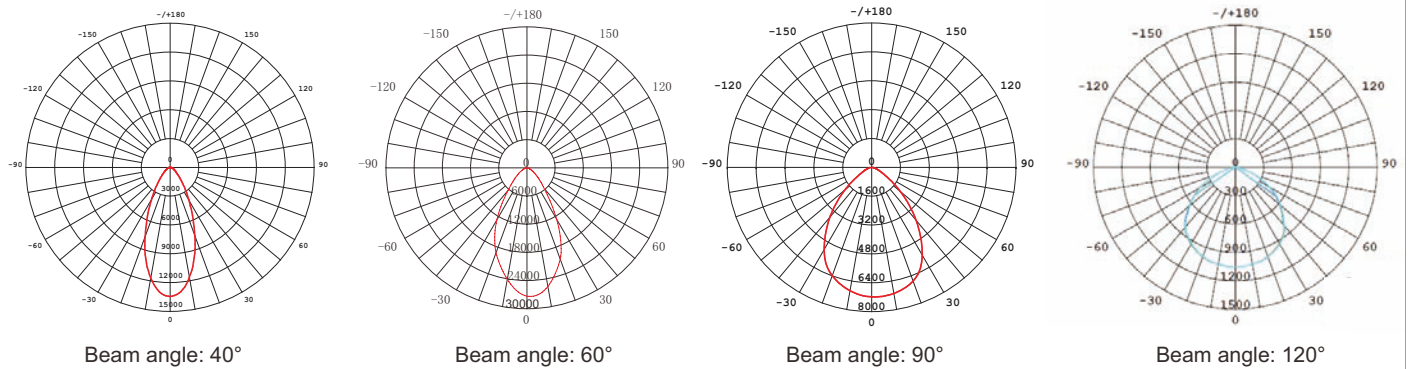


- | | | | |
|---|---|---|---|
| <p>1 PRODUCT CATEGORY</p> <ul style="list-style-type: none"> ◆ Explosion proof product | <p>2 WATTAGE</p> <ul style="list-style-type: none"> ◆ 10W/20W/30W/40W | <p>3 PRODUCT SERIES</p> <ul style="list-style-type: none"> ◆ O= O Series | <p>4 DIMMING OPTION</p> <ul style="list-style-type: none"> ◆ D= Dimmable ◆ N= Non-dimmable |
| <p>5 CCT</p> <ul style="list-style-type: none"> ◆ Z can be 22, 30, ... 70. ◆ 22=2200K, 30=3000K, ... ◆ 70=7000K | <p>6 BEAM ANGLE</p> <ul style="list-style-type: none"> ◆ D40= 40° ◆ D60= 60° ◆ D90= 90° ◆ D120= 120° | <p>7 GLASS INFORMATION</p> <ul style="list-style-type: none"> ◆ A can be "C", denotes Globe glass and wire guard, which are the standard parts of the end product. ◆ Frosted lens or clear lens are available. | <p>8 MOUNTING STYLE</p> <ul style="list-style-type: none"> ◆ M1: Ceiling Mounting ◆ M2: Pole Mounting ◆ M3: 90 Degree Wall Mounting |

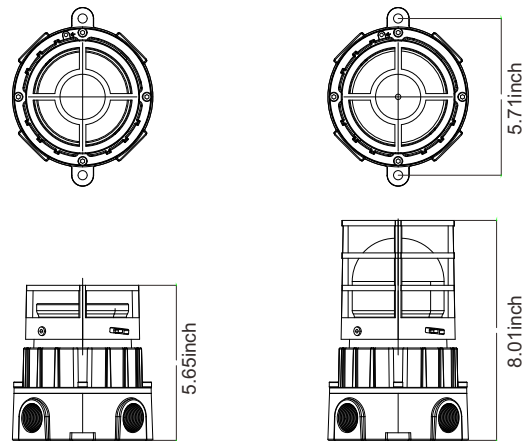
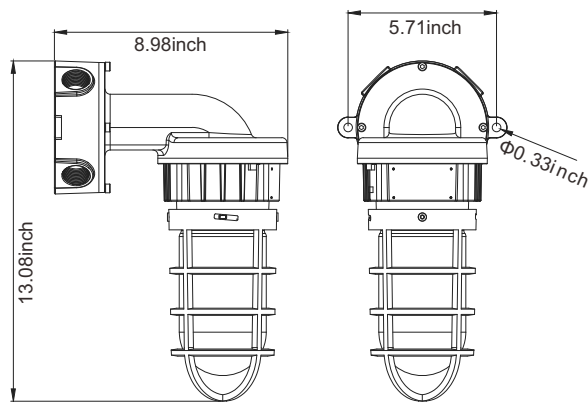
Technical Data:

Model	Wattage	Operating Voltage	Total Lumens (lm)	CRI	CCT
EX-10W OYZDAM	10W	AC100-277/220-480V; DC12-36V	950	>70	2200K-7000K
EX-20W OYZDAM	20W	AC100-277/220-480V; DC12-36V	1,900	>70	2200K-7000K
EX-30W OYZDAM	30W	AC100-277/220-480V; DC12-36V	2,850	>70	2200K-7000K
EX-40W OYZDAM	40W	AC100-277/220-480V; DC12-36V	3,800	>70	2200K-7000K

Photometry:



Dimensions & Packing:



Dimension for Flat Guard
Thickness of glass: 4.5mm

Model	Quantity/Carton	Packing Size	Net Weight	Gross Weight
EX-10W OYZDAM	1 PC	10.43x14.96x10.04inch	4.62kg/10.25lbs	5.4kg/11.90lbs
EX-20W OYZDAM	1 PC			
EX-30W OYZDAM	1 PC			
EX-40W OYZDAM	1 PC			

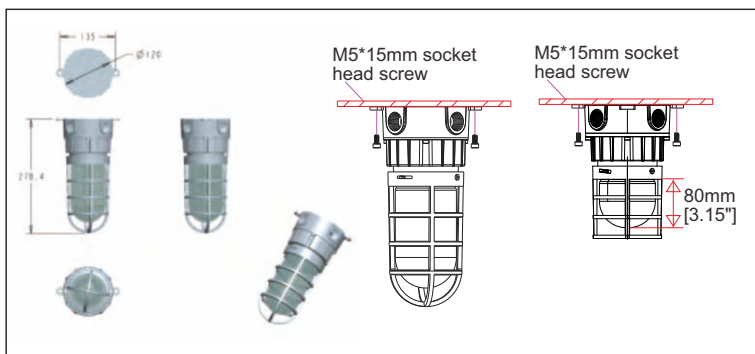
Installation Guidance:

⚠ WARNING Risk of fire, electric shock or personal injury. Please turn off power before installation!

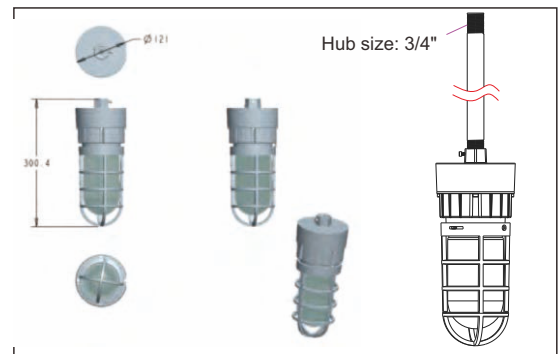
- ⦿ READ INSTRUCTIONS CAREFULLY BEFORE INSTALLING. KEEP THIS INSTRUCTIONS FOR FUTURE REFERENCE.
- ⦿ THIS PRODUCT MUST BE INSTALLED IN ACCORDANCE WITH THE APPLICABLE INSTALLATION CODE BY QUALIFIED ELECTRICIAN WHO IS FAMILIAR WITH THE CONSTRUCTION AND OPERATION OF THE PRODUCT AND THE HAZARDOUS INVOLVED.
- ⦿ Fixtures must be wired in accordance with the National electrical code and all applicable local codes. Proper grounding is required for safety.
- ⦿ Risk of fire or electric shock. Exit light installation requires knowledge of luminaires and electrical systems. DO NOT open the enclosure when energized. DO NOT try to install if not qualified. Please contact a professional electrician.
- ⦿ Risk of fire or electric shock. Suitable for wet locations. Make sure the power is off prior to installation.
- ⦿ Risk of fire or electric shock. Suitable for non-insulated surface and frame. DO NOT cover fixture with insulation liner or similar material.
- ⦿ DO NOT install in unstable, loose or breakable surfaces.
- ⦿ DO NOT let objects impact or exert force on the surface of the fixture.

Mounting:

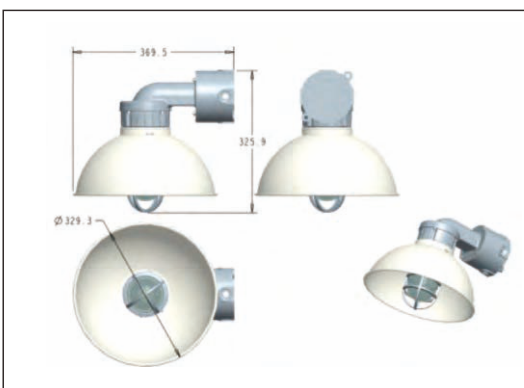
⦿ Ceiling Mounting:



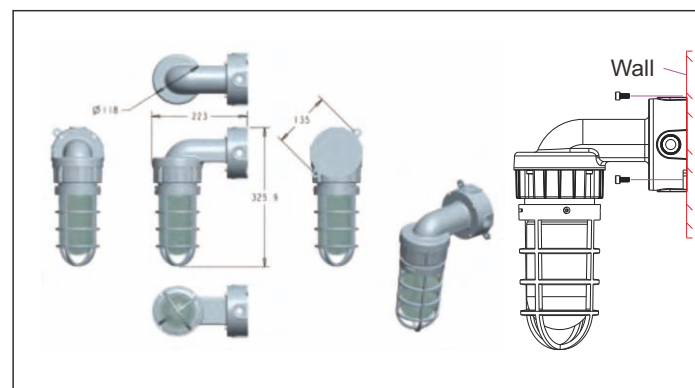
⦿ Pole Mounting:



⦿ 90° Walling Mounting (with Reflector):



⦿ 90° Wall Mounting:



Accessories:



Pendent



Ceiling/Wall



Ceiling/Wall (Interior Detail)



Wall Elbow



Reflector



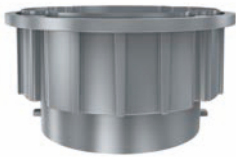
Extension



Globe Glass



Globe Guard



Heat Sink



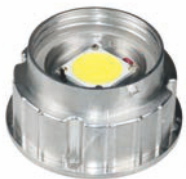
Clear



Flat Glass



Flat Guard



Main Part