

# PTLX GLOBAL ARTEMIS SERIES

High Powered LED Luminaires for Heavy Duty Applications

Modular - Redundant Design



Commercial Fishing



Industrial Applications

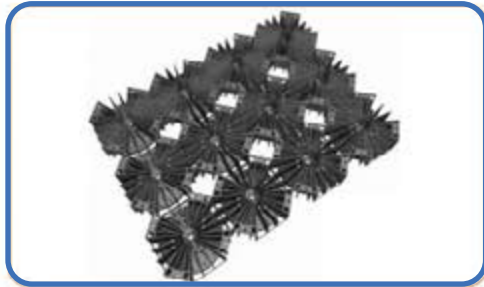


## Features

1. 160LM/W high level of lighting efficiency
2. LED illumination ranging from 120W to 1300W
3. The unit features with hexagon design that minimizes wind load
4. Each model operates separately, easy to maintain
5. Rugged die-cast aluminum adjustable bracket that can be horizontal or vertical mounted

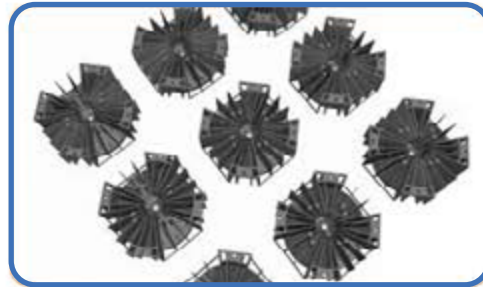
## Typhoon 12 Resistance

Hexagon design minimizes wind load



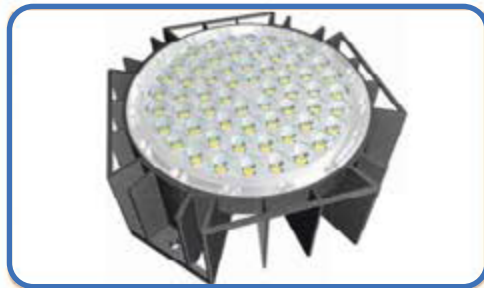
## Modular Design

Independent modular assembly



## Various Beam Angle

Multiple optice option. including 20°/30°/45°



## Independent Power Box

High efficient heat dissipation



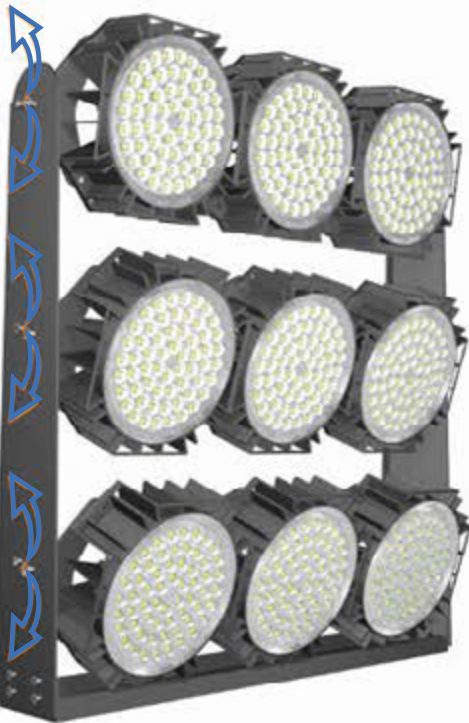
## Mini Lighting

Suitable for different applications according to your needs



## Independent Up, Down, and Left Adjustment

According to the demand, the independent module can adjust the illumination angle up and down and left and right without blind angle illumination.



## Side-by-Side Adjustment

According to the demand, the angle of illumination can be adjusted side by side without dead angle illumination.

## Features

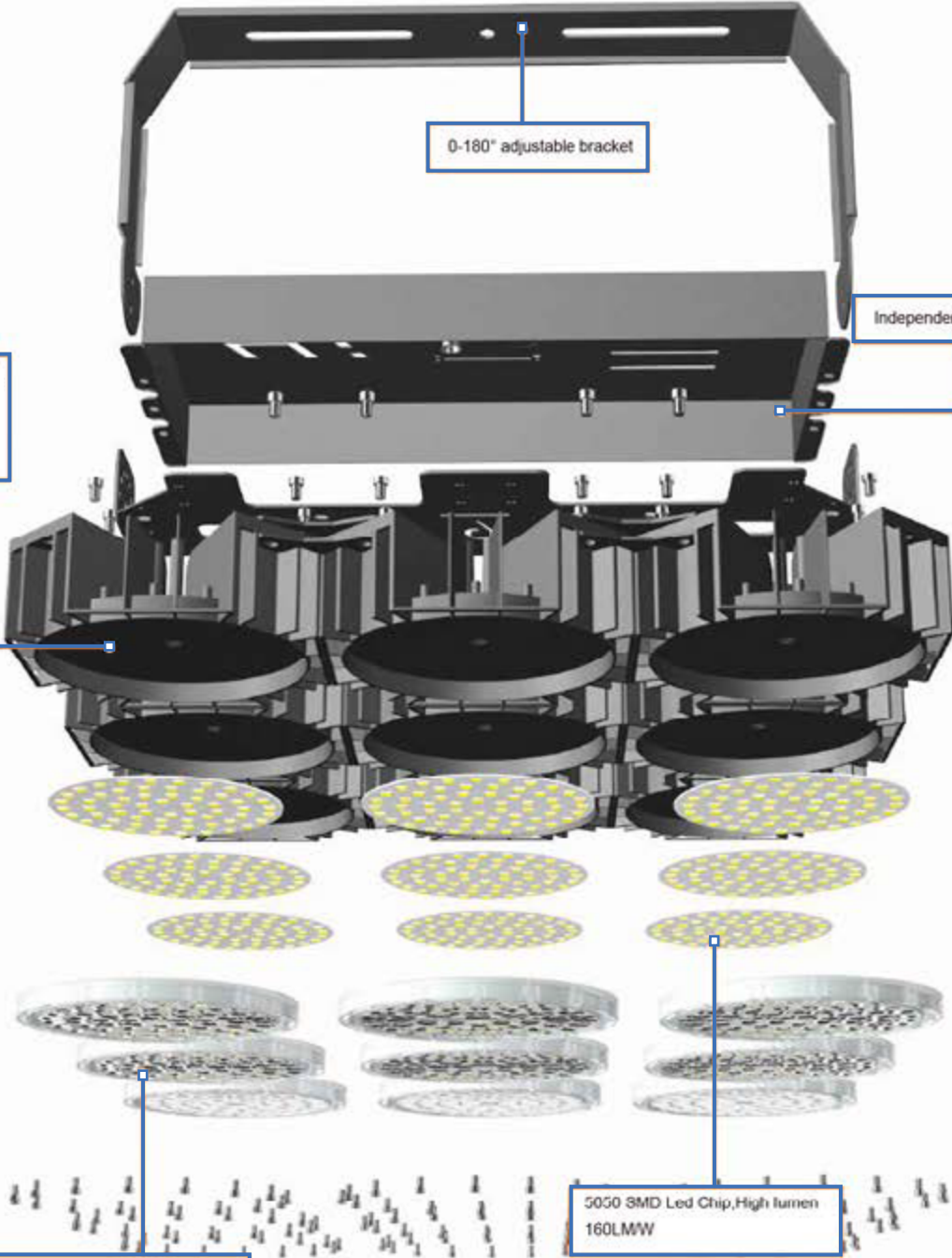
The lamp with hexagon design that minimizes wind load and saves maintenance cost. Each model operates separately making it easy to maintain.

0-180° adjustable bracket

Independent power box

20°/30°/45° Beam Angle PC Lens  
Transmittance up to 92%

5050 SMD Led Chip, High lumen  
160LMW



# 120W

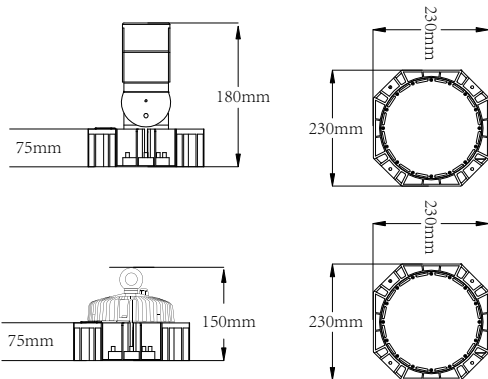
## SPECIFICATIONS



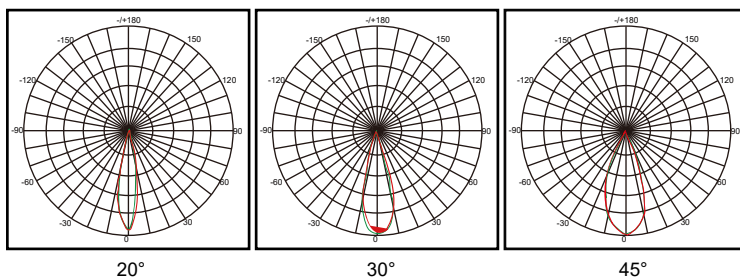
### Technical Data

Model Number	Artemis 120
Power	120W
Luminous Efficacy	160lm/W
Lumen Output	19200lm
LED Quantity	60pcs
Dimension	230*230*75mm
CCT	2700k, 4000k, 5000k
CRI	>80Ra
System Efficiency	≥90%
Beacon Pattern	20°/30°/45°

### Product Dimensions



### Photometrics



### Electrical Details

Input Voltage	AC100-277 (347V/480V-option)
Power Frequency	50-60Hz
Output Voltage	DC36-48V
Power Efficiency	>92%
Power Factor	≥0.95
Total Harmonic Distortion	≤15%
Dimmable	Yes (Optional)

### Other Details

IP Rating	IP68 Marine Rated
Lifespan	100,000+ Hours
Storage Temperature	-20°~65°C
Operating Temperature	-40°~55°C
Luminaire Net Weight	3.3KG (7lbs)
Certification	UL,DLC Premium,IK10
Color of housing	Black (customized)
Bracket	304 Stainless Steel-option available

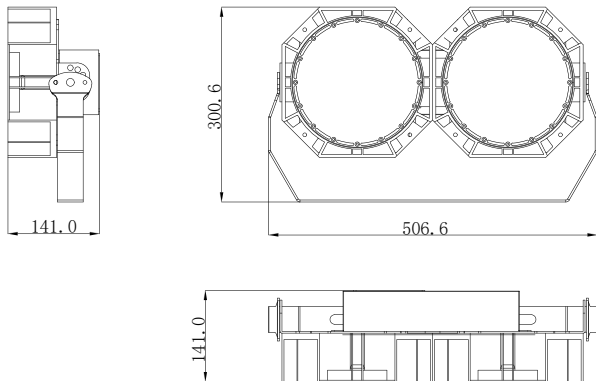
# 240W

## SPECIFICATIONS

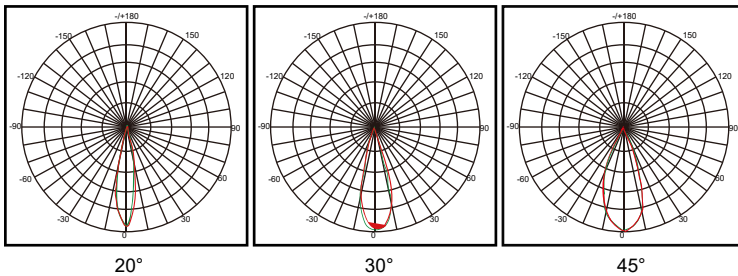


### Technical Data

Model Number	Artemis 240
Power	240W
Luminous Efficacy	160lm/W
Lumen Output	38400lm
LED Quantity	120pcs
Dimension	507*301*141mm
CCT	2700k, 4000k, 5000k
CRI	>80Ra
System Efficiency	≥90%
Beacon Pattern	20°/30°/45°



### Photometrics



### Electrical Details

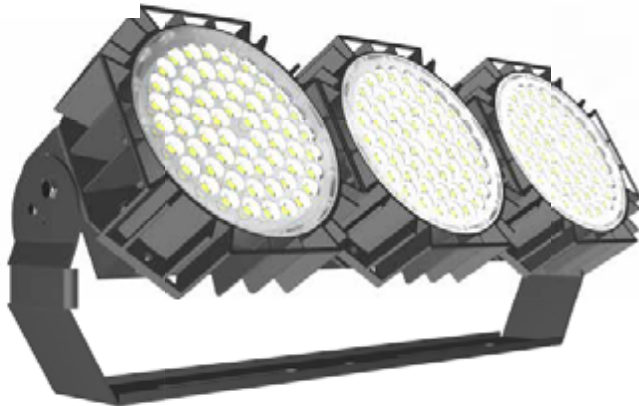
Input Voltage	AC100-277 (347V/480V-option)
Power Frequency	50-60Hz
Output Voltage	DC36-48V
Power Efficiency	>92%
Power Factor	≥0.95
Total Harmonic Distortion	≤15%
Dimmable	Yes (Optional)

### Other Details

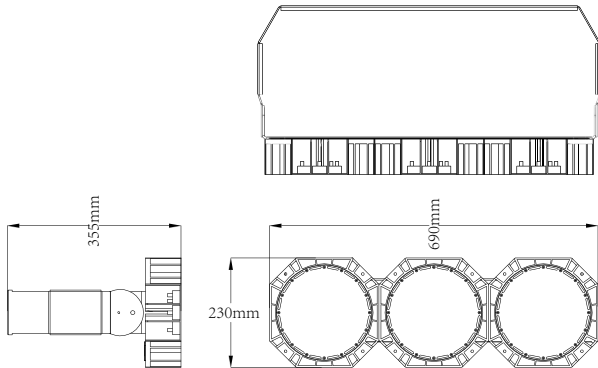
IP Rating	IP68 Marine Rated
Lifespan	100,000+ Hours
Storage Temperature	-20°~65°C
Operating Temperature	-40°~55°C
Luminaire Net Weight	12.5KG (27.5lbs)
Certification	UL, DLC Premium, IK10
Color of housing	Black (customized)
Bracket	304 Stainless Steel-option available

# 320W

## SPECIFICATIONS



### Product Dimensions



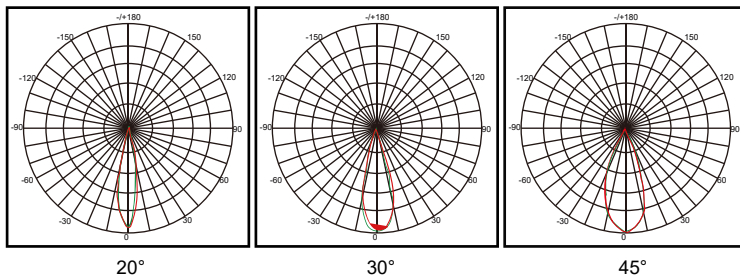
### Technical Data

Model Number	Artemis 320
Power	320W
Luminous Efficacy	160lm/W
Lumen Output	51200lm
LED Quantity	180pcs
Dimension	690*230*75mm
CCT	2700k, 4000k, 5000k
CRI	>80Ra
System Efficiency	≥90%
Beacon Pattern	20°/30°/45°

### Electrical Details

Input Voltage	AC100-277 (347V/480V-option)
Power Frequency	50-60Hz
Output Voltage	DC36-48V
Power Efficiency	>92%
Power Factor	≥0.95
Total Harmonic Distortion	≤15%
Dimmable	Yes (Optional)

### Photometrics

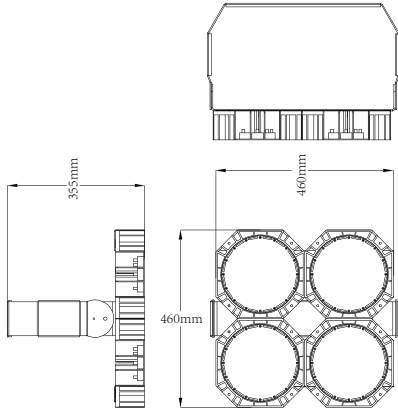


### Other Details

IP Rating	IP68 Marine Rated
Lifespan	100,000+ Hours
Storage Temperature	-20°~65°C
Operating Temperature	-40°~55°C
Luminaire Net Weight	13KG (31lbs)
Certification	UL, DLC Premium, IK10
Color of housing	Black (customized)
Bracket	304 Stainless Steel-option available



### Product Dimensions



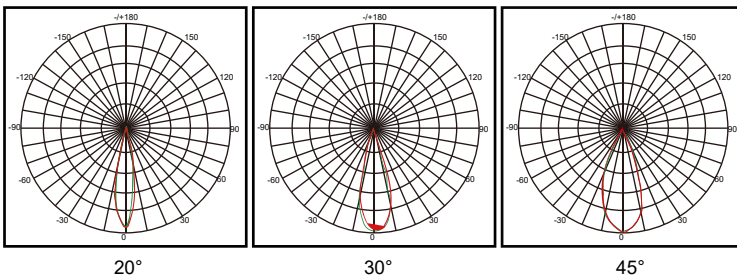
### Technical Data

Model Number	Artemis 480
Power	480W
Luminous Efficacy	160lm/W
Lumen Output	76800lm
LED Quantity	240pcs
Dimension	460*460*75mm
CCT	2700k, 4000k, 5000k
CRI	>80Ra
System Efficiency	≥90%
Beacon Pattern	20°/30°/45°

### Electrical Details

Input Voltage	AC100-277 (347V/480V-option)
Power Frequency	50-60Hz
Output Voltage	DC36-48V
Power Efficiency	>92%
Power Factor	≥0.95
Total Harmonic Distortion	≤15%
Dimmable	Yes (Optional)

### Photometrics



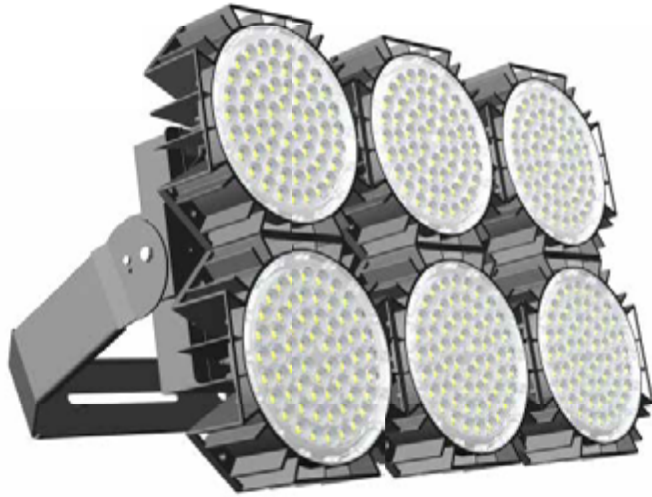
### Other Details

IP Rating	IP68 Marine Rated
Lifespan	100,000+ Hours
Storage Temperature	-20°~65°C
Operating Temperature	-40°~55°C
Luminaire Net Weight	18KG (40lbs)
Certification	UL, DLC Premium, IK10
Color of housing	Black (customized)
Bracket	304 Stainless Steel-option available

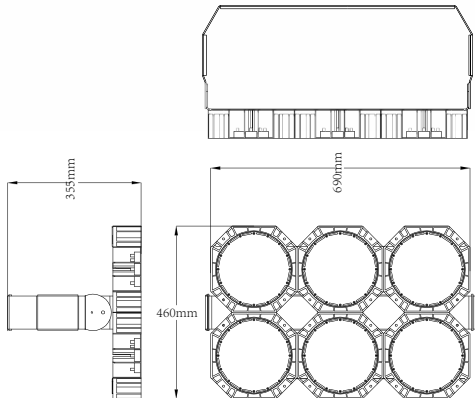


# 720W

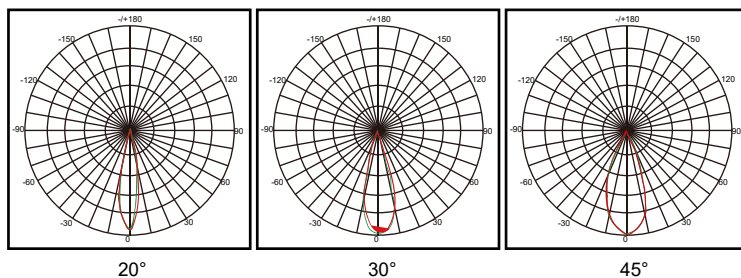
## SPECIFICATIONS



### Product Dimensions



### Photometrics



### Technical Data

Model Number	Artemis 720
Power	720W
Luminous Efficacy	160lm/W
Lumen Output	115200lm
LED Quantity	360pcs
Dimension	690*460*75mm
CCT	2700k, 4000k, 5000k
CRI	>80Ra
System Efficiency	≥90%
Beacon Pattern	20°/30°/45°

### Electrical Details

Input Voltage	AC100-277 (347V/480V-option)
Power Frequency	50-60Hz
Output Voltage	DC36-48V
Power Efficiency	>92%
Power Factor	≥0.95
Total Harmonic Distortion	≤15%
Dimmable	Yes (Optional)

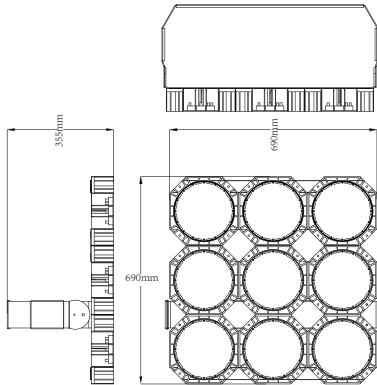
### Other Details

IP Rating	IP68 Marine Rated
Lifespan	100,000+ Hours
Storage Temperature	-20°~65°C
Operating Temperature	-40°~55°C
Luminaire Net Weight	24.5KG (54lbs)
Certification	UL, DLC Premium, IK10
Color of housing	Black (customized)
Bracket	304 Stainless Steel-option available

**960W**  
**SPECIFICATIONS**



**Product Dimensions**



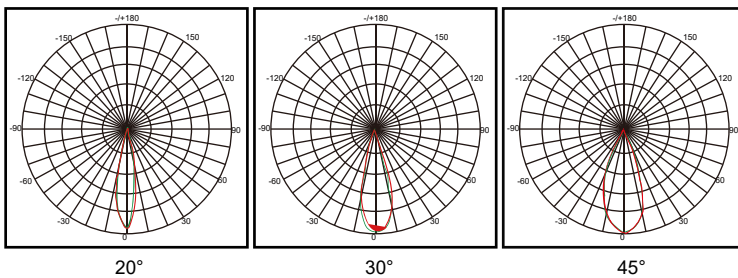
**Technical Data**

Model Number	Artemis 960
Power	960W
Luminous Efficacy	160lm/W
Lumen Output	153600lm
LED Quantity	540pcs
Dimension	690*690*75mm
CCT	2700k, 4000k, 5000k
CRI	>80Ra
System Efficiency	≥90%
Beacon Pattern	20°/30°/45°

**Electrical Details**

Input Voltage	AC100-277 (347V/480V-option)
Power Frequency	50-60Hz
Output Voltage	DC36-48V
Power Efficiency	>92%
Power Factor	≥0.95
Total Harmonic Distortion	≤15%
Dimmable	Yes (Optional)

**Photometrics**

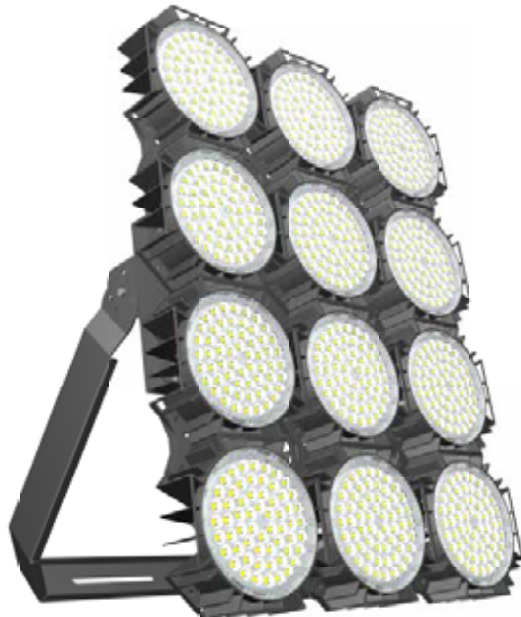


**Other Details**

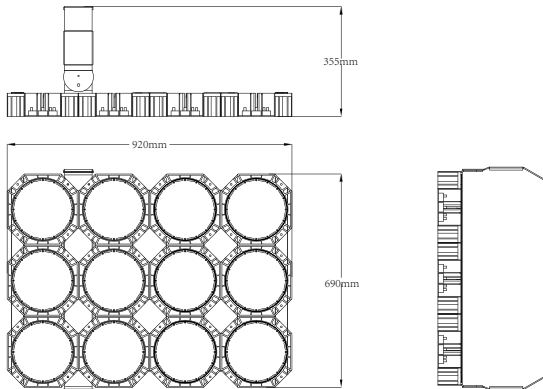
IP Rating	IP68 Marine Rated
Lifespan	100,000+ Hours
Storage Temperature	-20°~65°C
Operating Temperature	-40°~55°C
Luminaire Net Weight	35.5KG (78lbs)
Certification	UL, DLC Premium, IK10
Color of housing	Brown(customized)
Bracket	304 Stainless Steel-option available

# 1300W

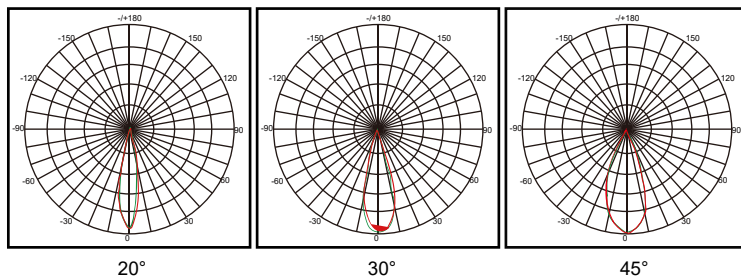
## SPECIFICATIONS



### Product Dimensions



### Photometrics



### Technical Data

Model Number	Artemis 1300
Power	1300W
Luminous Efficacy	160lm/W
Lumen Output	208000lm
LED Quantity	720pcs
Dimension	920*690*75mm
CCT	2700k, 4000k, 5000k
CRI	>80Ra
System Efficiency	≥90%
Beacon Pattern	20°/30°/45°

### Electrical Details

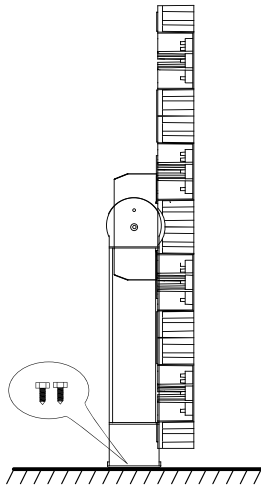
Input Voltage	AC100-277 (347V/480V-option)
Power Frequency	50-60Hz
Output Voltage	DC36-48V
Power Efficiency	>92%
Power Factor	≥0.95
Total Harmonic Distortion	≤15%
Dimmable	Yes (Optional)

### Other Details

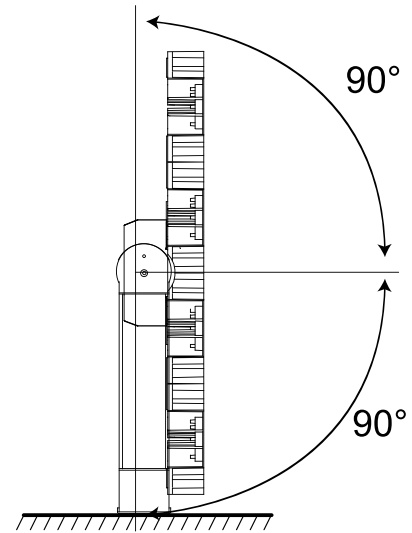
IP Rating	IP68 Marine Rated
Lifespan	100,000+ Hours
Storage Temperature	-20°~65°C
Operating Temperature	-40°~55°C
Luminaire Net Weight	44.5KG (98lbs)
Certification	UL, DLC Premium, IK10
Color of housing	Brown(customized)
Bracket	304 Stainless Steel-option available

## Installation

Bracket fixing lamp body



180 degree adjustable



## Application



Marine Vessels, Shipyards/Docks,  
Airports, Industrial Yards/Facilities, Rail  
Yards, Airport Hangers, Correctional  
Facilities, Harbor/Ports, Treatment  
Plants, Security Lighting, Truck Stops,  
Highways/Interchanges

