

TL-400

Deployable portable lighting in one bespoke robust package.

Portable Light Tower



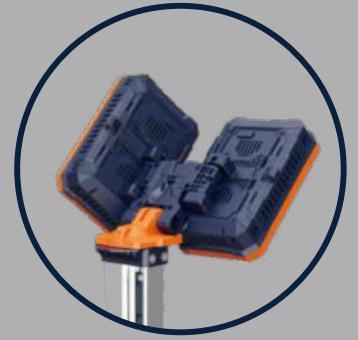
SPEEDY DEPLOYMENT

MULTIPLE LIGHTING DISTRIBUTION



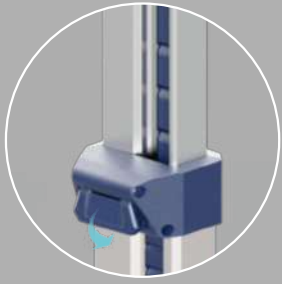
Single latch to release tripod

Deploy or fold in seconds.



Self-locking Pole

Drag & Lock at any position, contraction in one push.



Press down to fold the pole



180°

180°

330°

360+
up/ down/ left/ right adjustable

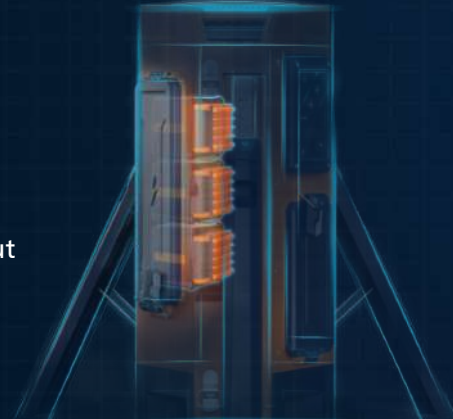
In built damping mechanism for ease of adjustment to cover lighting area required.

Ultra-long Endurance

Standard Mode Up To **20+** Hours
(3xD24-100)

Control Board

- Power
- DIM+
- DIM-
- Battery Level
- Brightness
- USB Output
- AC Plug



Application



Emergency



Infrastructure



Railway



Event



Maintenance



Mining



Sport

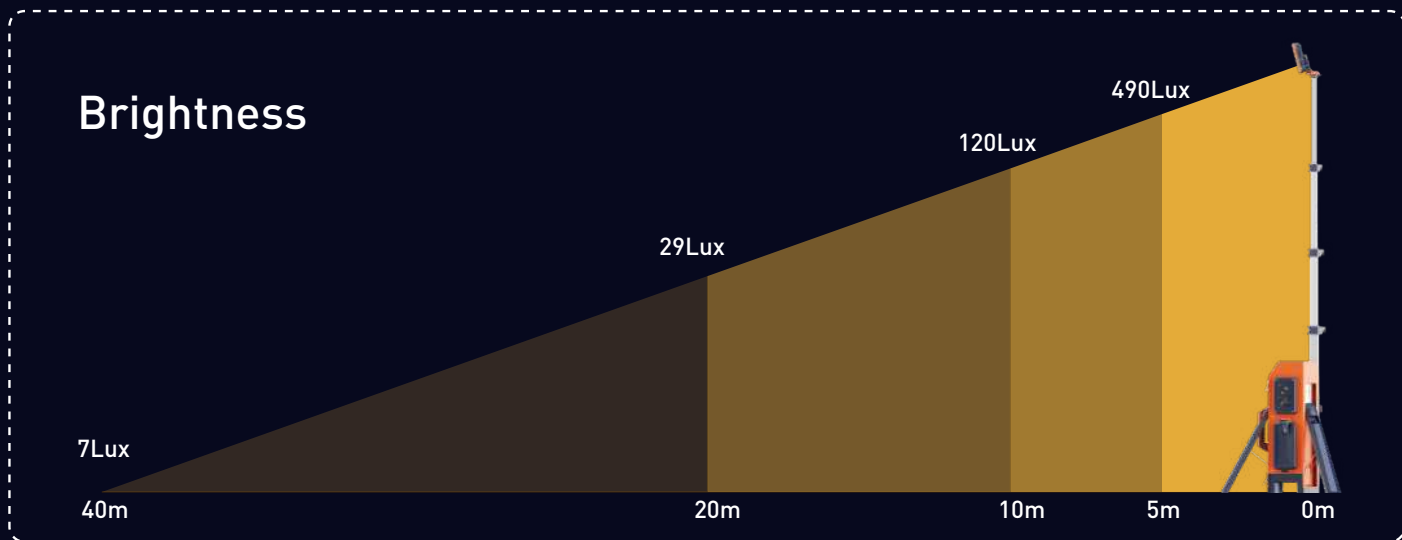


Construction



AC Powered
Up To **15,000** LM

Battery-powered
Up To **8,000** LM



* 'Brightness' represents the center point illuminance value of the lighting direction.

AC	0-15,000LM Stepless Dimmable	
Battery (4 Mode)	Turbo	8,000LM
	Standard	5,000LM
	Balanced	3,000LM
	Eco	800LM



* 'Lighting Area' represents the total lighting area of which > 1Lux.

One-person Operation

Transport, deploy, adjust lighting in seconds with one operator.



Dual handle & strap available, 10Kg.



Optional Accessories

9 Bay Simultaneous Rapid Charger (TKC-9)

Carry 9 battery packs, charge them for off-grid light tower operation for up to a week.



Achieve 15000LM full brightness with the driver, or operate wirelessly using a battery and charger.

Cover all possibilities with a choice of Power Options.

Battery (D24 Series)

Charger (MC-2)

Driver (X1-75-56BH)

Charger (MC-1)

S3 Flash Light

T2 Head Light

TL400 is a main light source that doubles as a USB charger for T2 headlamps, S3 flashlights, and mobile devices.

Fully equipped for any challenges in the dark!



Specifications

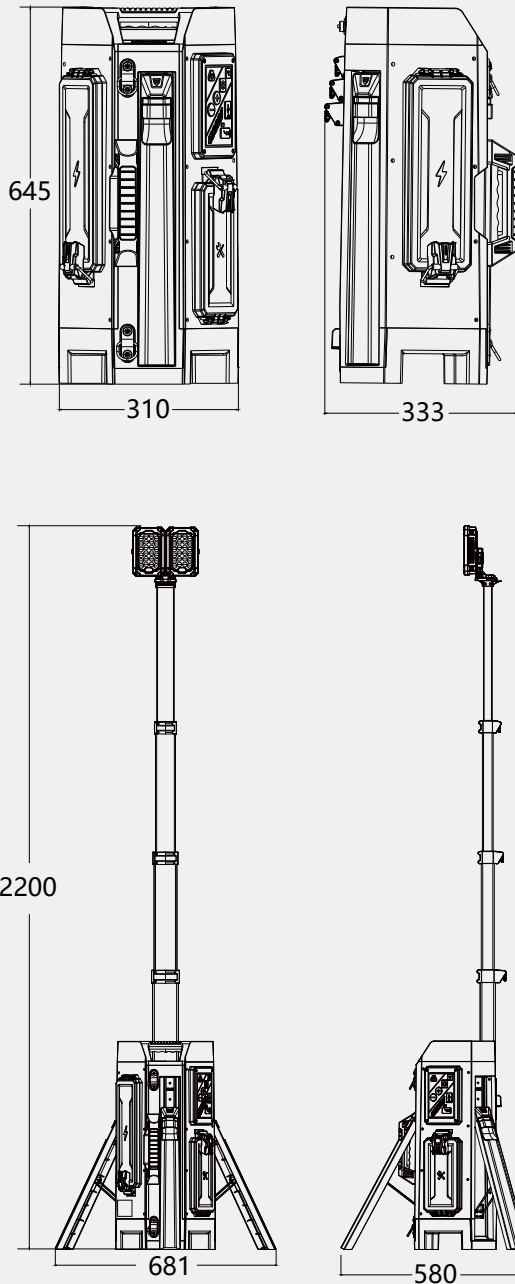
TL-400

Hight	64.5cm~220cm
Weight	10Kg (Fitting only)
Power Supply	Battery / AC 100-277V
Lumens	0 - 15,000Lm
Run Times	>20 hours (Standard mode, D24-100)
IP Grade	IP65
Output(USB)	5V 2A (2 Dock)
Battery System	D24-100

Battery (D24-100)

Rated Power	98Wh
Rated Voltage	24.5V
Rated Capacity	4.0Ah
Working Temperture	-10~50℃
Working Humidity	1~98%

Size (mm)



Package

Size of Carton	Gross Weight of Carton	PCS/Carton
730x390x410mm	13.3kg±5%	1

