



50W



4000LM



IP68



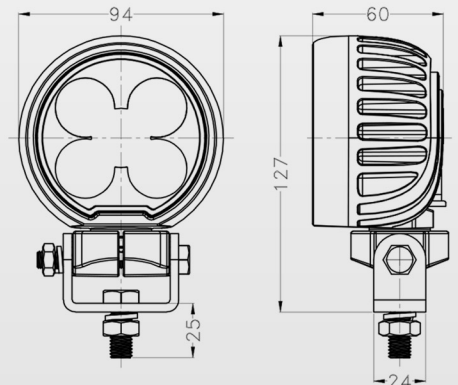
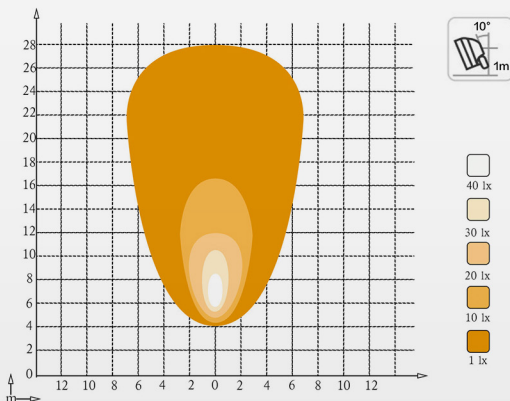
**MULTI-VOLT
9-32V**



EMC CISPR 25 – Class 4



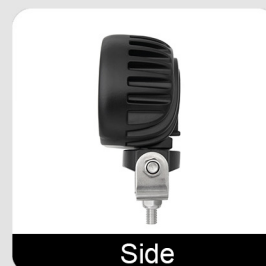
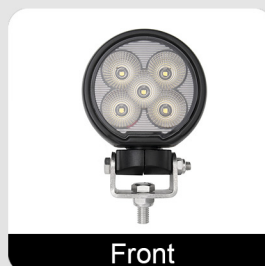
LED-flood



Model: VX50

SPECIFICATIONS:

Power	50W
Voltage range	9-32V
Luminous flux	4000LM
Light type	5pcs OSRAM 10W
Waterproof rate	IP68
Material	PC lens
Operating temperature	-45°C-+85°C
Beam	flood and spot beam optional
Material of housing	aluminum alloy
EMC CISPR 25 – Class 4	



Deutsch connector 2-pin Optional